

U

U17



SPECIFICATIONS

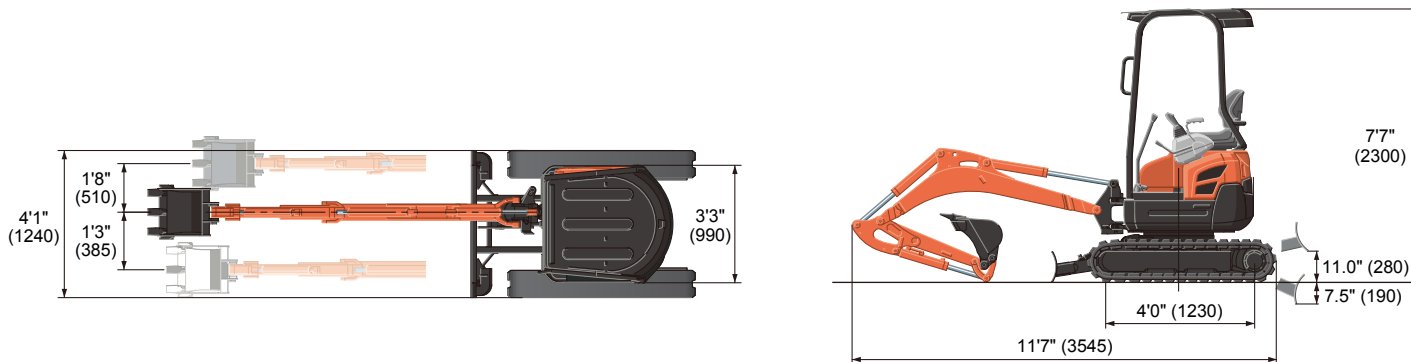
Specifications

Model		U17		
Type of ROPS / OPG (Top Guard Level I)*		Canopy		
Type of tracks		Rubber		
Engine	Model	Kubota D902-E4		
	Output (SAE J1995 gross)	HP (kW)/rpm	16.1 (12.0) / 2300	
	Output (SAE J1349 net)	HP (kW)/rpm	15.1 (11.3) / 2300	
	Displacement	cu.in. (cc)	54.8 (898)	
Dimensions	Overall length	ft.in. (mm)	11'7" (3545)	
	Overall height	ft.in. (mm)	7'8" (2340)	
	Overall width	ft.in. (mm)	3'3" (990) / 4'1" (1240)	
	Min. ground clearance	in. (mm)	5.9" (150)	
Hydraulic system	Pump capacity	GPM. (ℓ /min)	4.57 (17.3) × 2 / 2.75 (10.4) × 1	
	Auxiliary hydraulic flow	GPM. (ℓ /min)	7.32 (27.7)	
	Max. breakout force	Bucket / Arm	lbs. (kgf)	3417.2 (1550) / 1918 (870)
Drive system	Travel speed	Low / High	mph (km/h)	1.4 (2.2) / 2.6 (4.0)
	Max. traction force		lbs. (kgf)	4865 (2207)
	Tumbler distance		ft.in. (mm)	4'0" (1230)
	Crawler length		ft.in. (mm)	5'2" (1585)
	Shoe width		in. (mm)	9.1" (230)
	Ground contact pressure		psi (kgf/cm ²)	3.8 (0.27)
Swing system	Unit swing speed		rpm	9.1
	Boom swing angle	Left / Right	degree	65 / 58
Blade	Dimensions	Width	ft.in. (mm)	4'1" (1240) / 3'3" (990)
		Height	in. (mm)	10.3" (260)
	Max. lift above ground		in. (mm)	11.0" (280)
	Max. drop below ground		in. (mm)	7.5" (190)
Hydraulic oil (reservoir/system)		gal (ℓ)	3.4 (13) / 6.1 (23)	
Fuel reservoir		gal (ℓ)	5.02 (19)	
Operating weight (Including operator's weight 175 lbs.)		lbs.(kgf)	3703 (1680)	

* OPG (Top Guard Level I) in accordance with ISO10262 is equivalent in definition to FOPS (Falling Object Protective Structure).

The company reserves the right to change the above specifications without notice. This brochure is for descriptive purposes only. Please contact your local Kubota dealer for warranty information. For your safety, Kubota strongly recommends the use of a Rollover Protective Structure (ROPS) and seat belt for almost all applications.

DIMENSIONS



U

U25S

SPECIFICATIONS

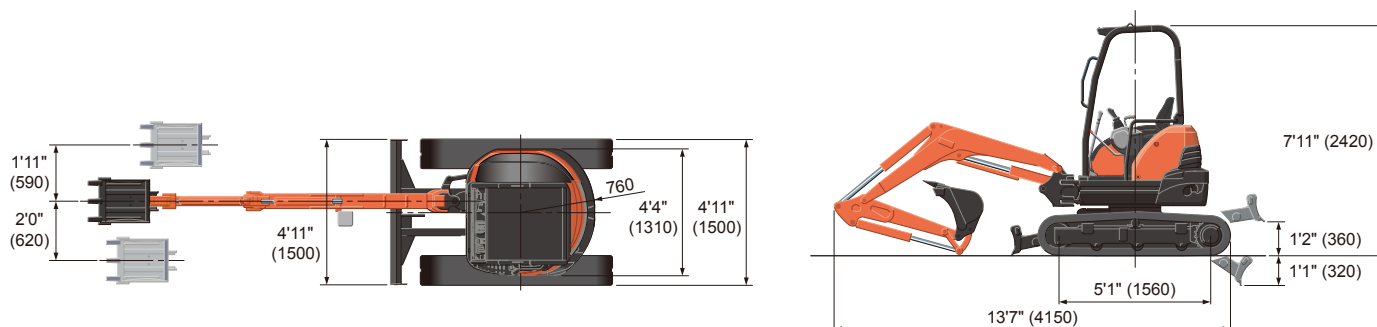
Specifications

Model		U25S		
Type of ROPS / OPG (Top Guard Level I)*		Canopy		
Type of tracks		Rubber		
Engine	Model	Kubota D1105-E4		
	Output (SAE J1995 gross)	HP (kW)/rpm	20.9 (15.6) / 2400	
	Output (SAE J1349 net)	HP (kW)/rpm	19.8 (14.8) / 2400	
	Displacement	cu.in. (cc)	68.5 (1123)	
Dimensions	Overall length	ft.in. (mm)	13'7" (4150)	
	Overall height	ft.in. (mm)	7'11" (2420)	
	Overall width	ft.in. (mm)	4'11" (1500)	
	Min. ground clearance	in. (mm)	11.2" (285)	
Hydraulic system	Pump capacity	GPM. (ℓ /min)	7.6 (28.8) Piston × 2 / 5.1 (19.2) Gear × 1	
	Auxiliary hydraulic flow	GPM. (ℓ /min)	12.7 (48)	
	Max. breakout force	Bucket / Arm	lbs. (kgf)	5765 (2615) / 2745 (1245)
Drive system	Travel speed	mph (km/h)	1.6 (2.5) / 2.9 (4.5)	
	Max. drawbar pull	lbs. (kgf)	6745 (3060)	
	Tumbler distance	ft.in. (mm)	5'1" (1560)	
	Crawler length	ft.in. (mm)	6'7" (2000)	
	Shoe width	in. (mm)	11.8" (300)	
	Ground contact pressure	psi (kgf/cm ²)	3.32 (0.23)	
Swing system	Unit swing speed	rpm	9.8	
	Boom swing angle	Left / Right	degree	75 / 55
Blade	Dimensions	Width	ft.in. (mm)	4'11" (1500)
		Height	in. (mm)	11.8" (300)
	Max. lift above ground	in. (mm)	14" (360)	
	Max. drop below ground	in. (mm)	13" (320)	
Hydraulic oil (reservoir/system)	gal (ℓ)	5.8 (22) / 9.8 (37)		
Fuel reservoir	gal (ℓ)	7.4 (28)		
Operating weight (Including operator's weight 175 lbs.)	lbs.(kgf)	5625 (2550)		

* OPG (Top Guard Level I) in accordance with ISO10262 is equivalent in definition to FOPS (Falling Object Protective Structure).

The company reserves the right to change the above specifications without notice. This brochure is for descriptive purposes only. Please contact your local Kubota dealer for warranty information. For your safety, Kubota strongly recommends the use of a Rollover Protective Structure (ROPS) and seat belt for almost all applications.

DIMENSIONS



U

U35-4



SPECIFICATIONS

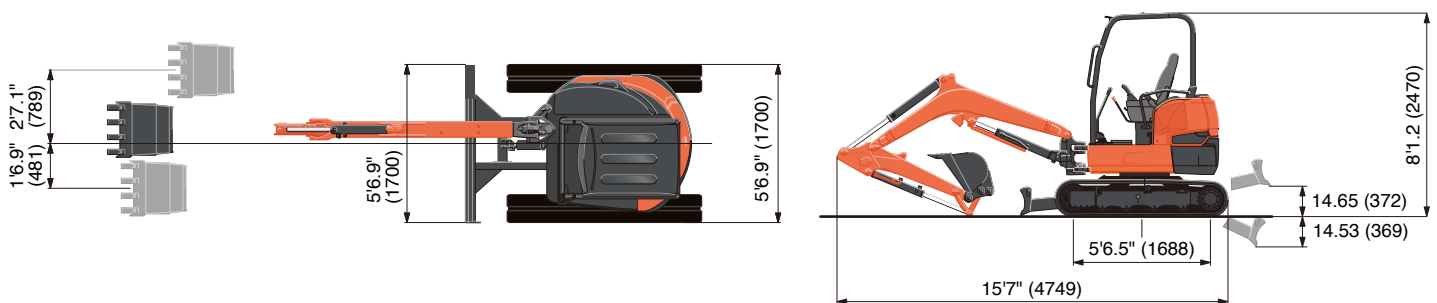
Specifications

Model		U35-4		U35-4 Angle Blade	
Type of ROPS / OPG (Top Guard Level I)*		Canopy / Cab			
Type of tracks		Rubber / Steel		Rubber / Steel	
Engine	Model	Kubota D1703M-DI-E4			
	Output (SAE J1995 gross)	HP (kW) / rpm		24.8 (18.5) / 2200	
	Output (SAE J1349 net)	HP (kW) / rpm		23.9 (17.8) / 2200	
	Displacement	cu. in. (cc)		100.5 (1647)	
Dimensions	Overall length	ft. in. (mm)		15'7" (4749)	
	Overall height	ft. in. (mm)		8'1.2 (2470)	
	Overall width	ft. in. (mm)		5'6.9" (1700)	
	Min. ground clearance	in. (mm)		11.34 (288)	
Hydraulic system	Pump capacity	GPM (ℓ/min)		10.5 (39.6) x 2 / 5.5 (20.9) x 1	
	Auxiliary hydraulic flow	AUX1	GPM (ℓ/min)		15.8 (60)
	Max. breakout force	Bucket / Arm	lbs. (kgf)		7924 (3594) / 4451 (2019)
Drive system	Travel speed	Low / High	mph (km/h)		1.9 (3.0) / 2.9 (4.6)
	Max. traction force	Low speed	lbs. (kgf)		6091 (2763)
	Tumbler distance	ft. in. (mm)		5'6.5" (1688)	
	Crawler length	ft. in. (mm)		6'10" (2084)	
	Shoe width	Rubber	in. (mm)		11.8 (300)
	Ground contact pressure	Rubber Canopy / Cab	psi (kgf/cm ²)		4.89 (0.34) / 5.08 (0.36)
	Steel Canopy / Cab	psi (kgf/cm ²)		5.00 (0.35) / 5.19 (0.36)	
Swing system	Unit swing speed	rpm		8.9	
	Boom swing angle	Left / Right	degree		71 / 45
Blade	Dimensions	Width	ft. in. (mm)		5'6.9" (1700)
		Height	ft. in. (mm)		1'1.5" (343) / 1'3.2" (385)
	Max. lift above ground	in. (mm)		14.65 (372) / 15.98 (406)	
	Max. drop below ground	in. (mm)		14.53 (369) / 18.74 (476)	
Angle	Left / Right	degree		- / 25 / 25	
Hydraulic oil (Reservoir / System)		gal (ℓ)		11.8 (44.6) / 16.1 (61)	
Fuel reservoir		gal (ℓ)		12.4 (46.9)	
Operating weight (Including operator's weight @ 175 lbs.)	Rubber Canopy / Cab	lbs. (kgf)		8129 (3687) / 8451 (3833)	
	Steel Canopy / Cab	lbs. (kgf)		8325 (3776) / 8647 (3922)	
	Rubber Canopy / Cab	lbs. (kgf)		8478 (3845) / 8800 (3991)	
	Steel Canopy / Cab	lbs. (kgf)		8674 (3934) / 8996 (4080)	

* OPG (Top Guard Level I) in accordance with ISO10262 is equivalent in definition to FOPS (Falling Object Protective Structure).

The company reserves the right to change the above specifications without notice. This brochure is for descriptive purposes only. Please contact your local Kubota dealer for warranty information. For your safety, Kubota strongly recommends the use of a Rollover Protective Structure (ROPS) and seat belt for almost all applications.

DIMENSIONS



U

U55-4

SPECIFICATIONS

Specifications

Model		U55-4		U55-4 Angle Blade	
Type of ROPS / OPG (Top Guard Level I)*		Canopy / Cab			
Type of tracks		Rubber		Rubber / Steel	
Engine	Model	Kubota V2607-CR-E4			
	Output (SAE J1995 gross)	HP (kW)/rpm	47.6 (35.5) / 2200		
	Output (SAE J1349 net)	HP (kW)/rpm	45.2 (33.7) / 2200		
	Displacement	cu.in. (cc)	159.6 (2615)		
Dimensions	Overall length	ft.in. (mm)	18'0.5" (5500)		
	Overall height	ft.in. (mm)	8'4.4" (2550)		
	Overall width	ft.in. (mm)	6'5.2" (1960)		
	Min. ground clearance	in. (mm)	1'0.2" (310)		
Hydraulic system	Pump capacity	GPM. (ℓ /min)	14.8 (56.1) Variable x 2 / 9.8 (37.0) Gear x 1		
	Auxiliary hydraulic flow	AUX1 / AUX2 GPM. (ℓ /min)	19.8 (75) / 9.8 (37)		
	Max. breakout force	Bucket / Arm lbs. (kgf)	11177 (5070) / 6261 (2840)		
Drive system	Travel speed	Low / High mph (km/h)	1.8 / 3.1 (2.8 / 4.9)		
	Max. traction force	Low speed lbs. (kgf)	14480 (6567)		
	Tumbler distance	ft.in. (mm)	6'6.3" (1990)		
	Crawler length	ft.in. (mm)	8'2.4" (2500)		
	Shoe width	Rubber / Steel in. (mm)	1'3.7" (400)		
	Ground contact pressure	Rubber Canopy / Cab Steel Canopy / Cab	psi (kgf/cm ²)	4.42 (0.311) / 4.51 (0.317) -	4.58 (0.322) / 4.65 (0.317) 4.66 (0.328) / 4.74 (0.333)
Swing system	Unit swing speed	rpm	9.3		
	Boom swing angle	Left / Right degree	70 / 55		
Blade	Dimensions	Width	6'5.2" (1960)		
		Height	ft. in. (mm)	1'4.0" (410)	1'4.7" (425)
	Max. lift above ground	in. (mm)	17.3" (440)		
	Max. drop below ground	in. (mm)	16.1" (410)		
Angle	Left / Right	degree	-		
Hydraulic oil (Reservoir/System)		gal (ℓ)	11.9 (45) / 20.9 (79)		
Fuel reservoir		gal (ℓ)	18.0 (68)		
Operating weight (Including operator's weight @ 175 lbs.)	Rubber Canopy / Cab	lbs. (kgf)	11915 (5405) / 12115 (5495)		12335 (5595) / 12535 (5685)
	Steel Canopy / Cab	lbs. (kgf)	-		12555 (5695) / 12755 (5785)

* OPG (Top Guard Level I) in accordance with ISO10262 is equivalent in definition to FOPS (Falling Object Protective Structure). The company reserves the right to change the above specifications without notice. This brochure is for descriptive purposes only. Please contact your local Kubota dealer for warranty information. For your safety, Kubota strongly recommends the use of a Rollover Protective Structure (ROPS) and seat belt for almost all applications.

DIMENSIONS

